

6SR

6" submersible pump

-  Clean water
(Maximum sand content 100 g/m³)
-  Civil use
-  Agricultural use
-  Industrial use



PERFORMANCE RANGE

- Flow rate up to **1000 l/min** (60 m³/h)
- Head up to **390 m**

APPLICATION LIMITS

- Maximum liquid temperature **+35 °C**
- Maximum sand content **100 g/m³**
- **100 m** immersion limit
- Installation:
 - vertical
 - horizontal, with the following limits: up to **12 stages** or **11 kW**
- Starts/hour: **20** at regular intervals
- Minimum flow rate for motor cooling **16 cm/s** (0.5 m/s for 30 kW)
- Continuous service **S1**

CONSTRUCTION AND SAFETY STANDARDS

ELECTRIC MOTOR

– Three-phase 400 V - 50 Hz

4 m long power cable

EN 60335-1
IEC 60335-1
CEI 61-150

EN 60034-1
IEC 60034-1
CEI 2-3



EU REGULATION N. 547/2012

CERTIFICATIONS

Company with management system certified DNV
ISO 9001: QUALITY
ISO 14001: ENVIRONMENT



INSTALLATION AND USE

Suitable for use with clean water with a sand content of no more than 100 g/m³. Because of their high efficiency and reliability, they are suitable for use in civil, agricultural and industrial applications such as the distribution of water in combination with pressure tanks, for irrigation and for pressure boosting in fire-fighting sets, etc.

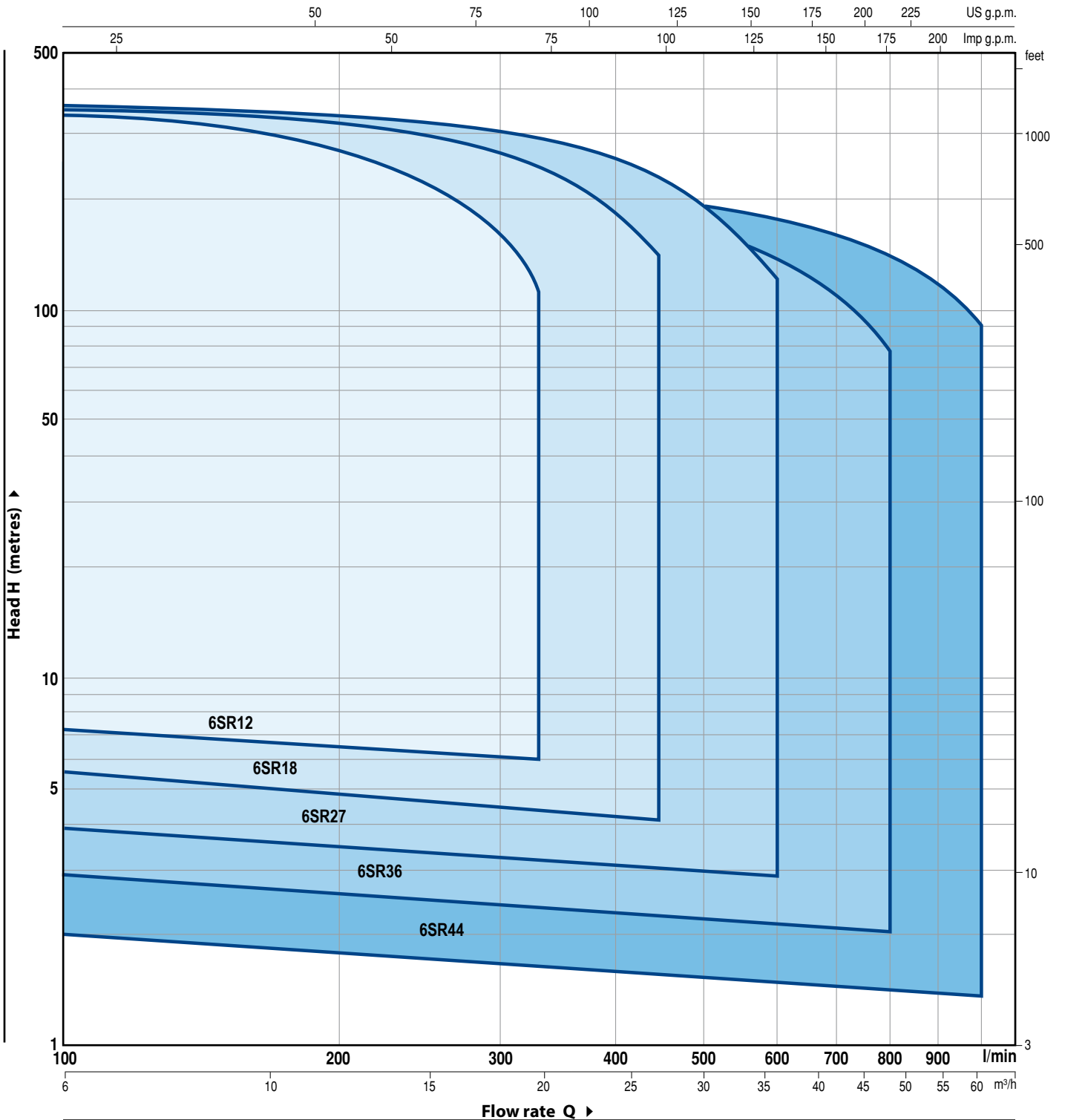
OPTIONS AVAILABLE ON REQUEST

- Kit of cooling jacket complete with filter and supports
- 6SR-HYD pumps with double cable cover suitable for dual voltage 400/690 V (star/delta) motors from 11 kW to 30 kW
- Other voltages or 60 Hz frequency
- **Kit of cooling jacket complete with filter and supports**



PERFORMANCE RANGE

50 Hz n= 2900 rpm



NOMENCLATURE

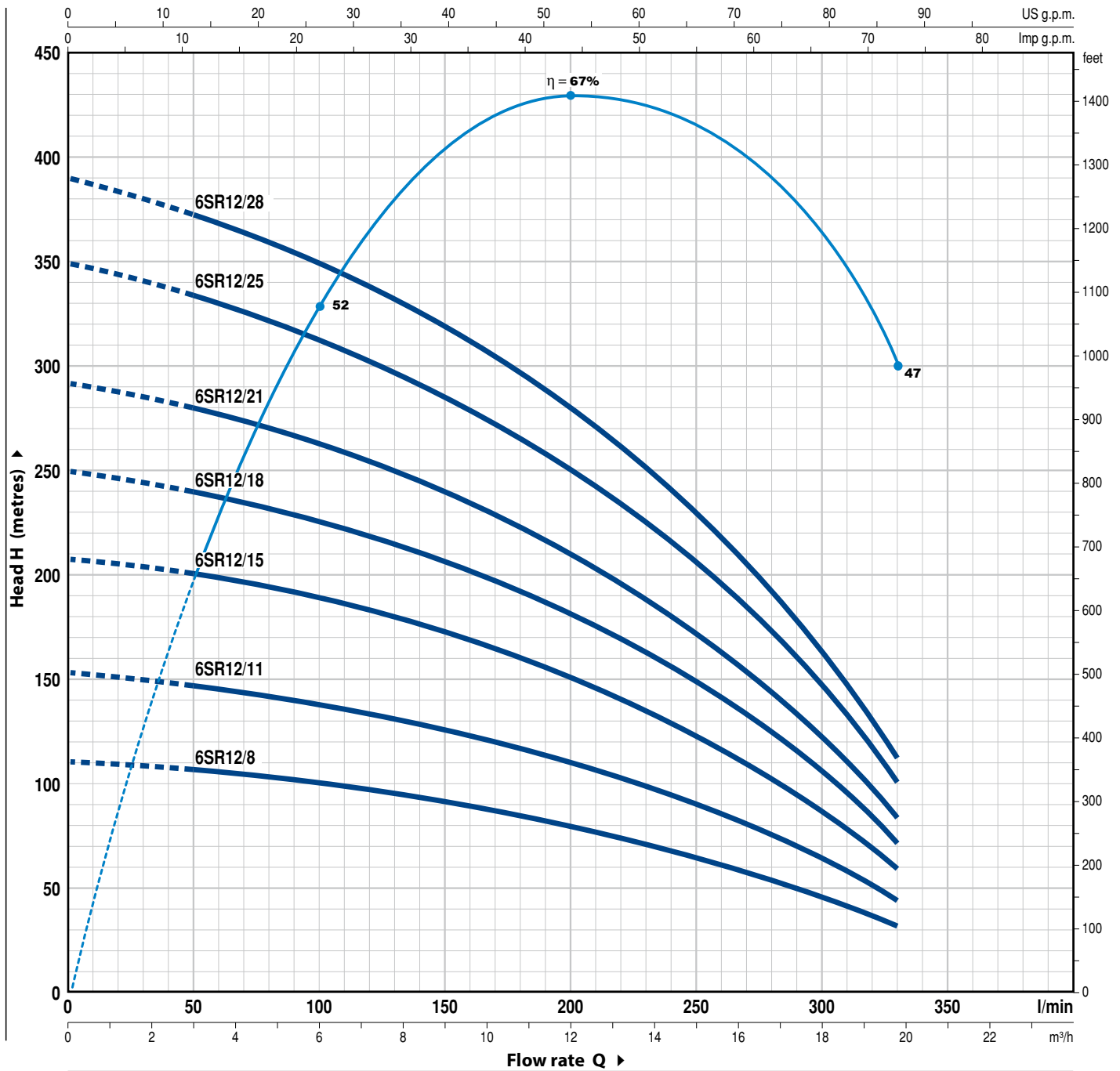
6 SR 12 / 8 - PD or HYD

- Borehole diameter in inches _____
- Series _____
- Flow rate in m³/h at the point of highest efficiency _____
- Number of stages _____
- PD:** pump with "6PD PEDROLLO" motor _____
- HYD:** pump without motor _____

6SR12

CHARACTERISTIC CURVES AND PERFORMANCE DATA

50 Hz n = 2900 rpm



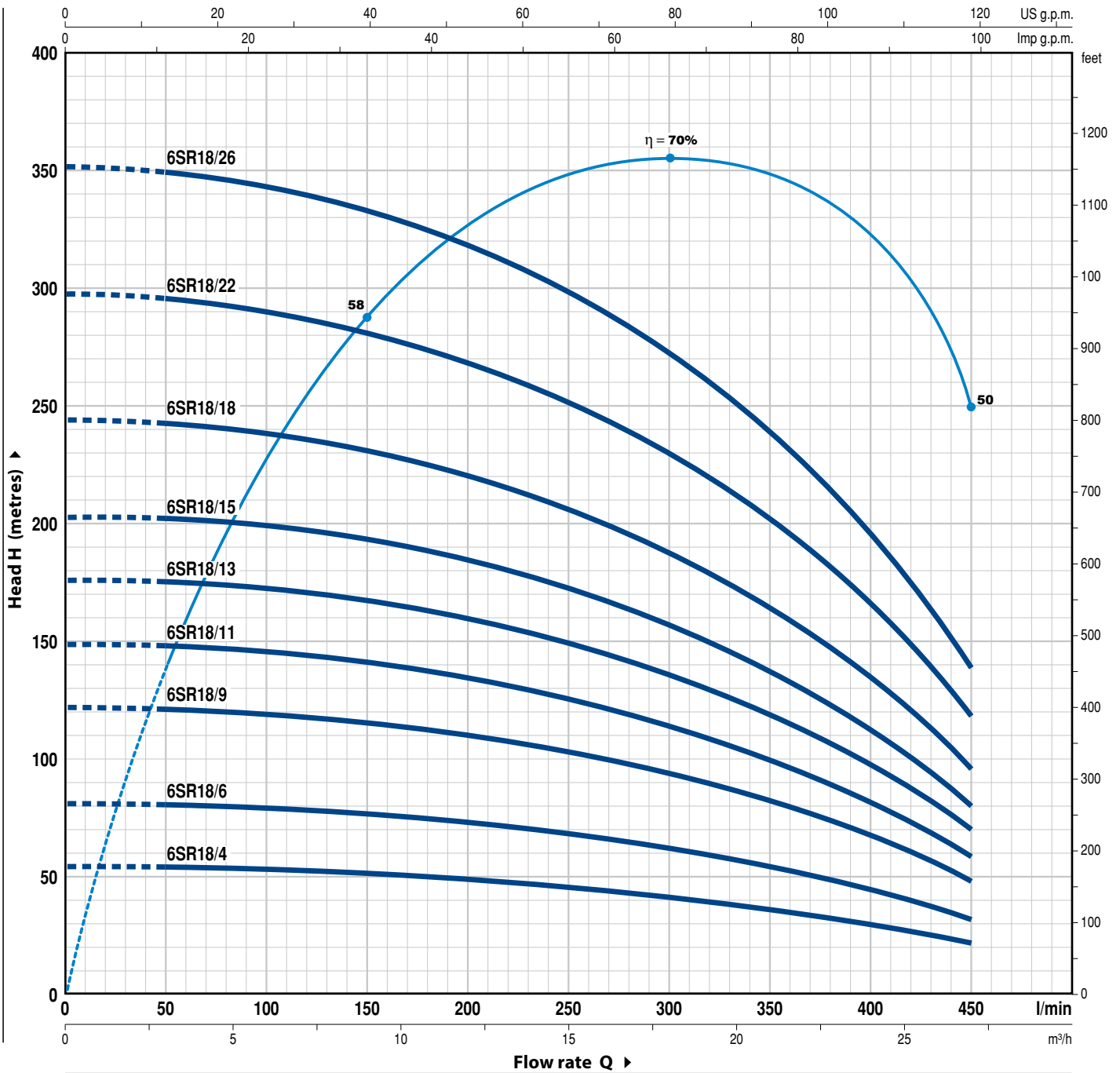
MODEL	POWER (P ₂)		Q	Flow rate							
	kW	HP		0	3.0	6.0	9.0	12.0	15.0	18.0	19.8
Three-phase				0	50	100	150	200	250	300	330
6SR12/8	4	5.5	H metres	111	106	100	91	80	66	47	32
6SR12/11	5.5	7.5		153	146	138	125	110	91	65	44
6SR12/15	7.5	10		208	199	189	171	150	124	88	60
6SR12/18	9.2	12.5		250	239	225	205	180	149	106	72
6SR12/21	11	15		292	279	263	239	210	174	124	84
6SR12/25	13	17.5		349	331	313	285	250	206	147	100
6SR12/28	15	20		390	371	350	319	280	231	165	112

Q = Flow rate H = Total manometric head

Tolerance of characteristic curves in compliance with EN ISO 9906 Grade 3B.

CHARACTERISTIC CURVES AND PERFORMANCE DATA

50 Hz n = 2900 rpm



MODEL	POWER (P ₂)		Q	Flow rate (l/min)												
	kW	HP		0	3	6	9	12	15	18	21	24	27			
Three-phase				0	50	100	150	200	250	300	350	400	450			
6SR18/4	4	5.5	H metres	54	53.8	53	51	49	46	42	37	30	22			
6SR18/6	5.5	7.5		81	80.5	79	77	74	69	63	55	45	32			
6SR18/9	7.5	10		122	121	119	116	111	103	94	83	68	48			
6SR18/11	9.2	12.5		149	148	145.5	141	135	126	115	101	83	59			
6SR18/13	11	15		176	175	172	167	160	149	136	120	98	70			
6SR18/15	13	17.5		203	202	199	193	185	172	157	138	113	80			
6SR18/18	15	20		244	242	238	231	221	206	188	165	135	96			
6SR18/22	18.5	25		298	296	291	282	270	252	230	202	165	118			
6SR18/26	22	30		352	350	344	334	320	298	272	239	195	139			

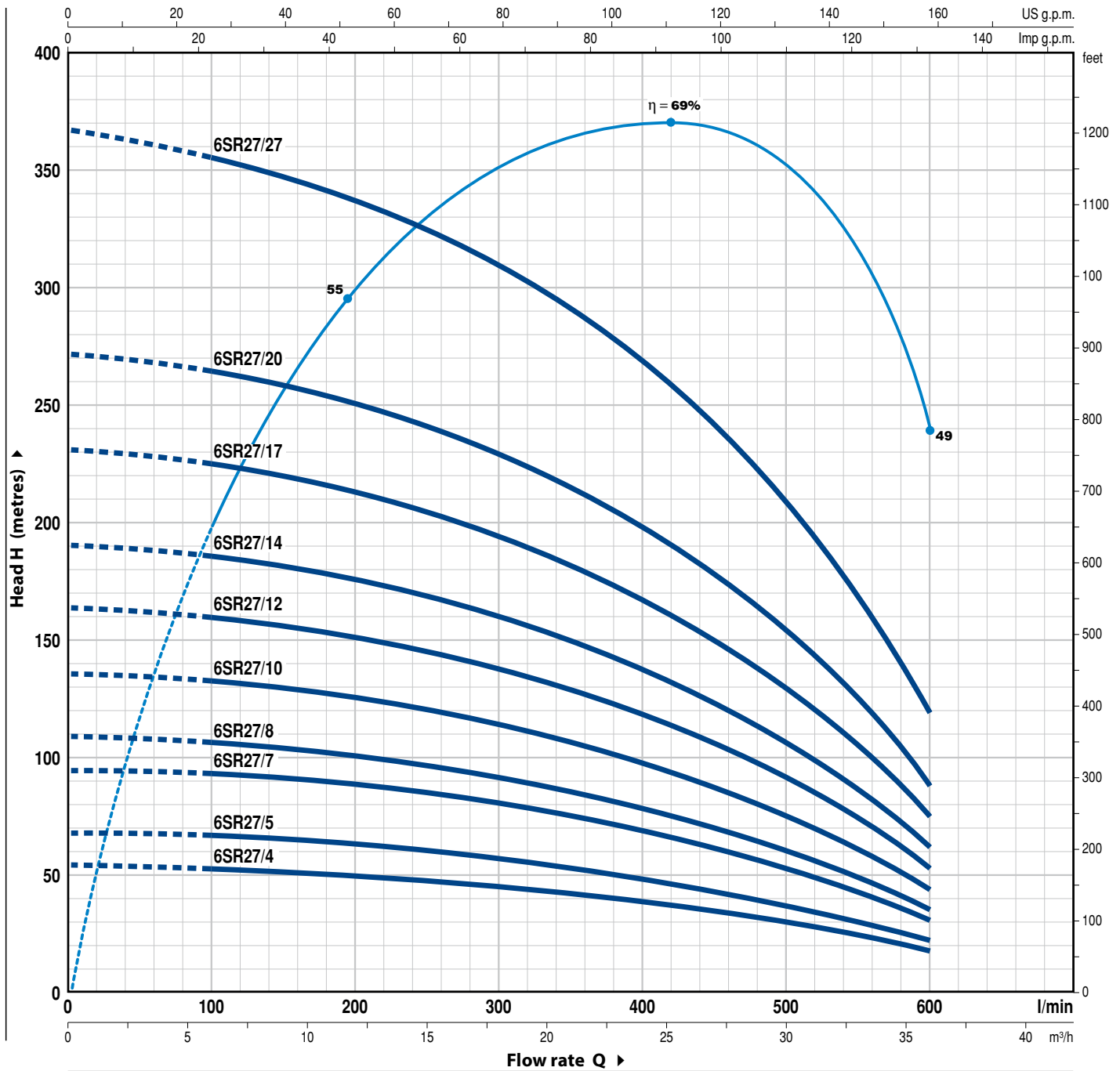
Q = Flow rate H = Total manometric head

Tolerance of characteristic curves in compliance with EN ISO 9906 Grade 3B.

6SR27

CHARACTERISTIC CURVES AND PERFORMANCE DATA

50 Hz n = 2900 rpm



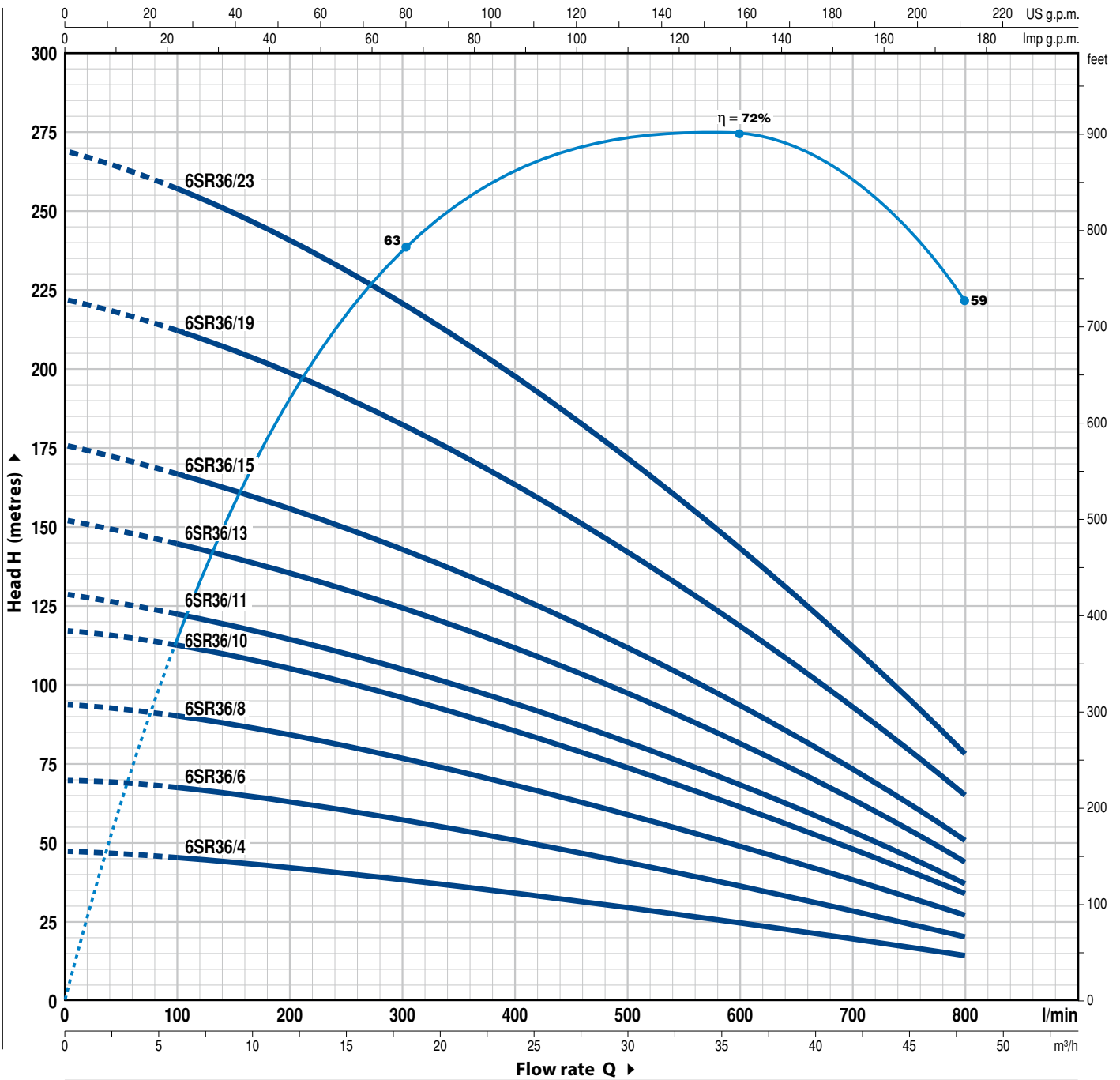
MODEL	POWER (P ₂)		Q	H metres							
	kW	HP		0	6	12	18	24	30	36	
Three-phase				0	100	200	300	400	500	600	
6SR27/4	4	5.5		54	53	49	45	40	30	18	
6SR27/5	5.5	7.5		68	66	62	57	50	37	22	
6SR27/7	7.5	10		95	92	87	80	70	52	31	
6SR27/8	9.2	12.5		109	106	99	91	80	59	35	
6SR27/10	11	15		136	132	124	114	100	74	44	
6SR27/12	13	17.5		164	159	149	137	120	89	53	
6SR27/14	15	20		191	185	174	160	140	104	62	
6SR27/17	18.5	25		231	224	211	194	170	126	75	
6SR27/20	22	30		272	264	248	228	200	148	88	
6SR27/27	30	40		367	356	335	308	270	205	119	

Q = Flow rate H = Total manometric head

Tolerance of characteristic curves in compliance with EN ISO 9906 Grade 3B.

CHARACTERISTIC CURVES AND PERFORMANCE DATA

50 Hz n = 2900 rpm



MODEL	POWER (P ₂)		Q	Flow rate (l/min)																		
	kW	HP		0	6	12	18	24	30	36	42	48										
Three-phase				0	100	200	300	400	500	600	700	800										
6SR36/4	4	5.5	H metres	47	45	42	38	34	29	25	19	14										
6SR36/6	5.5	7.5		70	67	63	57	51	44	37	29	20										
6SR36/8	7.5	10		94	89	84	76	68	59	50	39	27										
6SR36/10	9.2	12.5		117	111	105	95	85	74	62	48	34										
6SR36/11	11	15		129	123	115	105	93	81	68	53	37										
6SR36/13	13	17.5		152	145	136	124	110	96	81	63	44										
6SR36/15	15	20		176	167	157	143	127	110	93	72	51										
6SR36/19	18.5	25		222	212	199	181	161	140	118	92	65										
6SR36/23	22	30		269	256	241	219	195	169	143	111	78										

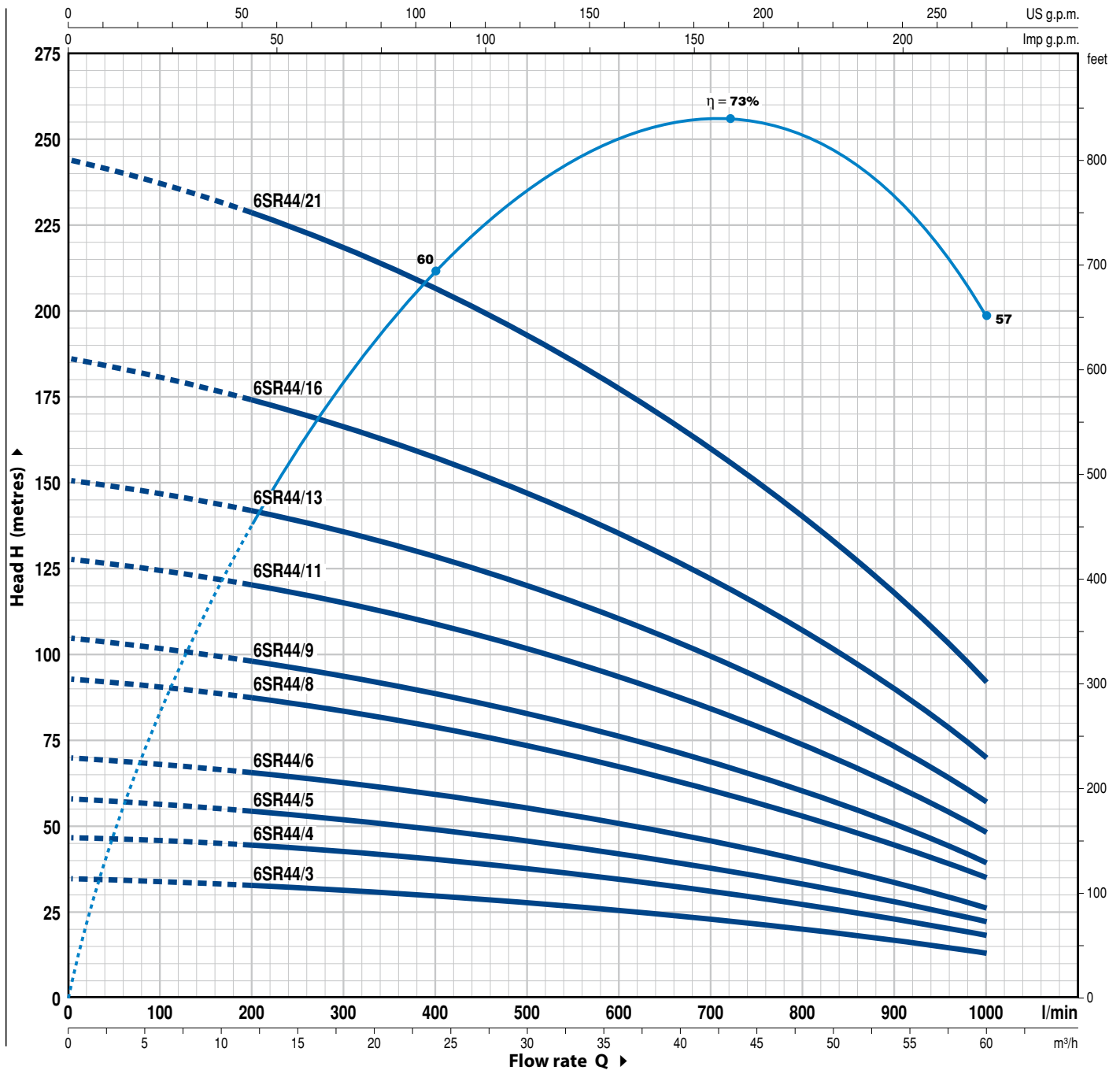
Q = Flow rate H = Total manometric head

Tolerance of characteristic curves in compliance with EN ISO 9906 Grade 3B.

6SR44

CHARACTERISTIC CURVES AND PERFORMANCE DATA

50 Hz n = 2900 rpm

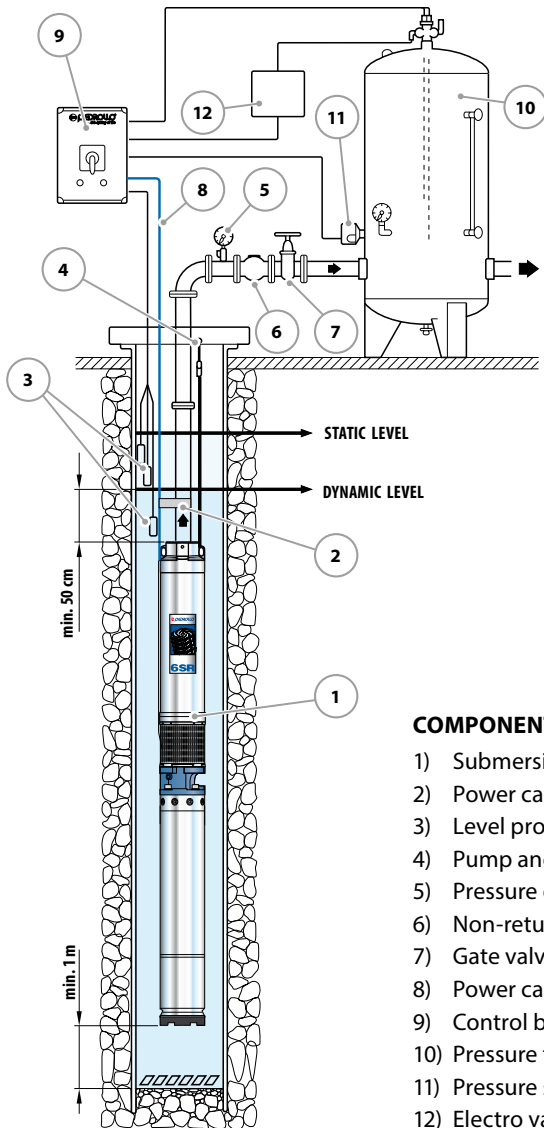


MODEL	POWER (P ₂)		Q	Flow rate											
	kW	HP		0	12	18	24	30	36	42	48	54	60		
Three-phase				0	200	300	400	500	600	700	800	900	1000		
6SR44/3	4	5.5	H metres	35	33	31	30	28	26	23	20	17	13		
6SR44/4	5.5	7.5		47	44	42	40	37	34	31	27	23	18		
6SR44/5	7.5	10		58	54	52	49	46	43	38	33	28	22		
6SR44/6	9.2	12.5		70	65	62	59	56	51	46	40	34	26		
6SR44/8	11	15		93	87	83	79	74	68	61	53	45	35		
6SR44/9	13	17.5		105	98	93	89	83	77	69	60	51	39		
6SR44/11	15	20		128	120	114	109	102	94	84	73	62	48		
6SR44/13	18.5	25		151	141	135	128	120	111	99	86	73	57		
6SR44/16	22	30		186	174	166	158	148	136	122	106	90	70		
6SR44/21	30	40		244	228	218	207	194	179	160	139	118	92		

Q = Flow rate H = Total manometric head

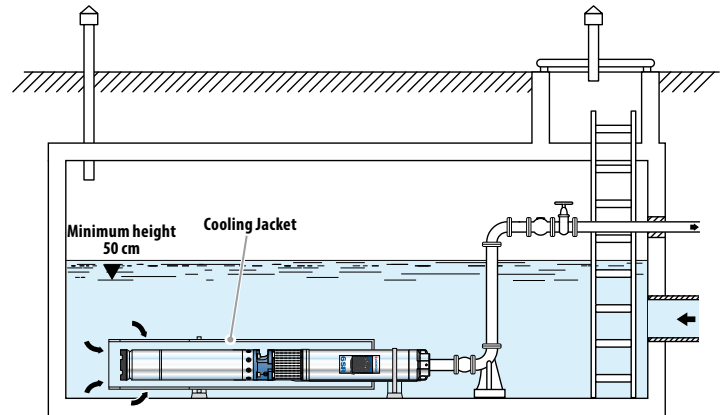
Tolerance of characteristic curves in compliance with EN ISO 9906 Grade 3B.

STANDARD INSTALLATION



COMPONENTS

- 1) Submersible pump
- 2) Power cable clamps
- 3) Level probes
- 4) Pump anchorage
- 5) Pressure gauge
- 6) Non-return valve
- 7) Gate valve; for flow rate regulation
- 8) Power cable
- 9) Control box
- 10) Pressure tank
- 11) Pressure switch
- 12) Electro valve/electro-compressor

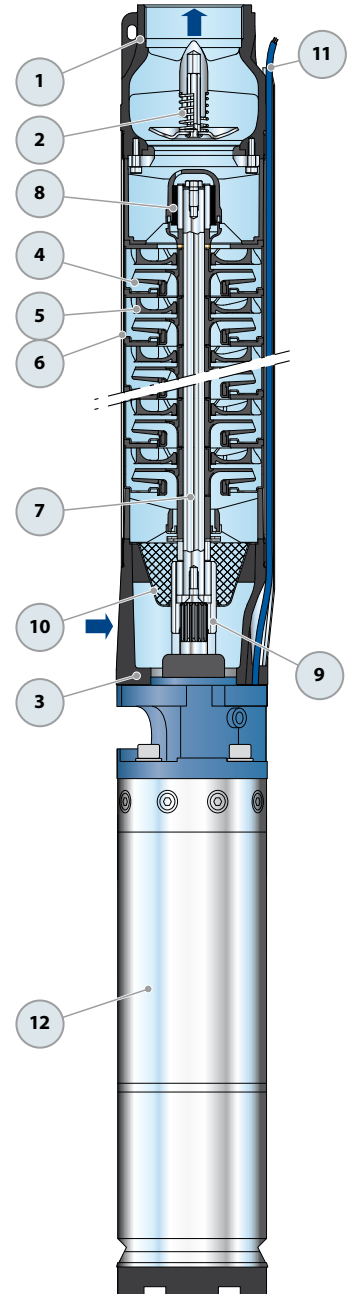


Cooling jacket

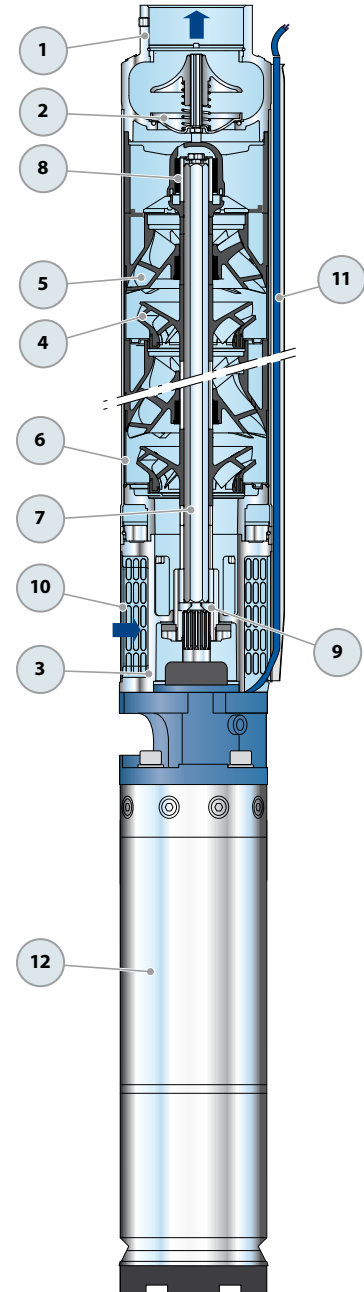
When the pump is installed in storage tanks, rivers or lakes an external jacket must be fitted to establish a flow of cooling water to prevent overheating of the motor.

➡ The **6SR** series pumps should be installed in boreholes of at least 6" (150 mm) in diameter. The pump should be lowered into the borehole, by means of the delivery pipe, to such a depth (min. 50 cm and at least one metres from the bottom) that it is completely immersed during operation when the level of water in the borehole may reduce. It is good practice to secure the pump by attaching a stainless steel cable to the anchorage points present on the delivery body.

POS. COMPONENT	CONSTRUCTION CHARACTERISTICS
1 DELIVERY BODY	Nickel-plated cast iron with an Epoxy Electro Coating treatment complete with threaded delivery port in compliance with ISO 228/1
2 NON-RETURN VALVE	Stainless steel AISI 304
3 MOTOR BRACKET	Nickel-plated cast iron with an Epoxy Electro Coating treatment in compliance with NEMA standards
4 IMPELLERS	Special-rubber coated Noryl FE1520PW
5 DIFFUSERS	Noryl FE1520PW
6 DIFFUSOR CASING	Stainless steel AISI 304
7 PUMP SHAFT	Stainless steel AISI 304
8 PUMP BEARINGS	Elastomer housing with stainless steel AISI 316, chrome oxide coated, sand resistant shaft bushing
9 DRIVE COUPLING	Stainless steel AISI 420
10 FILTER	Stainless steel AISI 304
11 CABLE COVER	Stainless steel AISI 304
12 MOTOR 6"	6PD = "PEDROLLO" oil filled rewindable motor

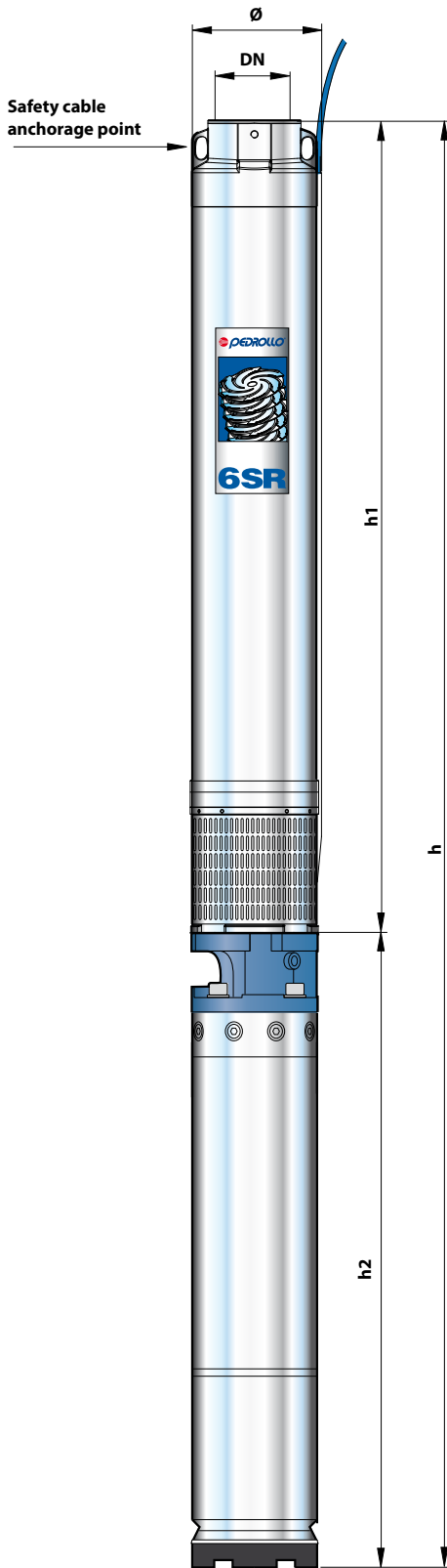


POS. COMPONENT	CONSTRUCTION CHARACTERISTICS
1 DELIVERY BODY	Stainless steel AISI 304 complete with threaded delivery port in compliance with ISO 228/1
2 NON-RETURN VALVE	Stainless steel AISI 304
3 MOTOR BRACKET	Nickel-plated cast iron in compliance with NEMA standards
4 IMPELLERS	Special-rubber coated Noryl FE1520PW
5 DIFFUSERS	Noryl FE1520PW
6 DIFFUSOR CASING	Stainless steel AISI 304
7 PUMP SHAFT	Stainless steel AISI 304
8 PUMP BEARINGS	Special technopolymer housing with stainless steel AISI 316, chrome oxide coated, sand resistant shaft bushing
9 DRIVE COUPLING	Stainless steel AISI 420
10 FILTER	Stainless steel AISI 304
11 CABLE COVER	Stainless steel AISI 304
12 MOTOR 6"	6PD = "PEDROLLO" oil filled rewindable motor



6SR-PD

DIMENSIONS AND WEIGHT



MODEL	PORT DN	Ø	DIMENSIONS mm			kg 3~
			h1	h2	h	
6SR 12/8 - PD	3"	149.5	719	633	1352	53.8
6SR 12/11 - PD			849	667	1516	60.9
6SR 12/15 - PD			1068	698	1766	66.8
6SR 12/18 - PD			1198	731	1929	73.0
6SR 12/21 - PD			1328	826	2154	83.9
6SR 12/25 - PD			1502	894	2396	96.0
6SR 12/28 - PD			1632	894	2526	98.1
6SR 18/4 - PD			545	633	1178	49.6
6SR 18/6 - PD			632	667	1299	53.6
6SR 18/9 - PD			762	698	1460	60.3
6SR 18/11 - PD			849	731	1580	67.0
6SR 18/13 - PD			981	826	1807	76.9
6SR 18/15 - PD			1068	894	1962	84.6
6SR 18/18 - PD			1198	894	2092	87.6
6SR 18/22 - PD			1371	959	2330	99.7
6SR 18/26 - PD			1545	1116	2661	125.7
6SR 27/4 - PD			583	633	1216	47.9
6SR 27/5 - PD			636	667	1303	53.5
6SR 27/7 - PD			742	698	1440	58.8
6SR 27/8 - PD			795	731	1526	63.0
6SR 27/10 - PD			901	826	1727	74.1
6SR 27/12 - PD			1051	894	1945	83.6
6SR 27/14 - PD			1157	894	2051	85.9
6SR 27/17 - PD			1316	959	2275	97.5
6SR 27/20 - PD			1474	1116	2590	123.0
6SR 27/27 - PD			1845	1243	3088	135.8
6SR 36/4 - PD			823	633	1456	55.4
6SR 36/6 - PD			1049	667	1716	64.0
6SR 36/8 - PD			1275	698	1973	71.0
6SR 36/10 - PD			1501	731	2232	76.2
6SR 36/11 - PD			1613	826	2439	90.0
6SR 36/13 - PD			1839	894	2733	102.0
6SR 36/15 - PD			2065	894	2959	107.0
6SR 36/19 - PD			2517	959	3476	121.0
6SR 36/23 - PD			2969	1116	4085	154.0
6SR 44/3 - PD			710	633	1343	54.0
6SR 44/4 - PD			823	667	1490	57.5
6SR 44/5 - PD			936	698	1634	63.1
6SR 44/6 - PD			1049	731	1780	70.0
6SR 44/8 - PD			1275	826	2101	82.2
6SR 44/9 - PD			1388	894	2282	92.0
6SR 44/11 - PD			1613	894	2507	97.0
6SR 44/13 - PD	1839	959	2798	110.0		
6SR 44/16 - PD	2178	1116	3294	141.0		
6SR 44/21 - PD	2743	1243	3986	154.3		

DIMENSIONS AND WEIGHT



MODEL Pump	PORT DN	DIMENSIONS mm		kg
		Ø	h	
6SR 12/8 - HYD	3"	149.5	719	19.8
6SR 12/11 - HYD			849	24.9
6SR 12/15 - HYD			1068	27.8
6SR 12/18 - HYD			1198	31.0
6SR 12/21 - HYD			1328	33.9
6SR 12/25 - HYD			1502	39.0
6SR 12/28 - HYD			1632	41.1
6SR 18/4 - HYD			545	15.6
6SR 18/6 - HYD			632	17.6
6SR 18/9 - HYD			762	21.3
6SR 18/11 - HYD			849	25.0
6SR 18/13 - HYD			981	26.9
6SR 18/15 - HYD			1068	27.6
6SR 18/18 - HYD			1198	30.6
6SR 18/22 - HYD			1371	34.7
6SR 18/26 - HYD			1545	38.7
6SR 27/4 - HYD			583	13.9
6SR 27/5 - HYD			636	17.5
6SR 27/7 - HYD			742	19.8
6SR 27/8 - HYD			795	21.0
6SR 27/10 - HYD			901	24.1
6SR 27/12 - HYD			1051	26.6
6SR 27/14 - HYD			1157	28.9
6SR 27/17 - HYD			1316	32.5
6SR 27/20 - HYD			1474	36.0
6SR 27/27 - HYD			1845	44.8
6SR 36/4 - HYD			823	21.4
6SR 36/6 - HYD			1049	28.0
6SR 36/8 - HYD			1275	32.0
6SR 36/10 - HYD			1501	34.2
6SR 36/11 - HYD			1613	40.0
6SR 36/13 - HYD			1839	45.0
6SR 36/15 - HYD			2065	50.0
6SR 36/19 - HYD			2517	56.0
6SR 36/23 - HYD			2969	67.0
6SR 44/3 - HYD			710	20.0
6SR 44/4 - HYD			823	21.5
6SR 44/5 - HYD			936	24.1
6SR 44/6 - HYD			1049	28.0
6SR 44/8 - HYD			1275	32.2
6SR 44/9 - HYD			1388	35.0
6SR 44/11 - HYD			1613	40.0
6SR 44/13 - HYD	1839	45.0		
6SR 44/16 - HYD	2178	54.0		
6SR 44/21 - HYD	2743	63.3		